

MODULAR EMPLOYABLE SKILLS (MES)

under Skill Development Initiative Scheme (SDIS)
Directorate General of Employment & Training, Ministry of Labour & Employment, Government of India



Assessment conducted by – INDIA SKILLS PVT. LTD., NEW DELHI

AUTOMOTIVE REPAIR

(Basic Automotive servicing(2-3 Wheelers)-AUR701)

Theory – Maximum marks (50)

Duration – 30 minutes

Marks Scored -

Set No.-AUR701_E_1

NAME:

FATHER'S NAME:

DATE:

CENTRE:

(SECTION-A)

Each question in this section carries two (2) marks

Answer the following Question

1. What is the value represents in TVS 50?
a. speed b. cylinder volume
c. fuel volume d. model number
2. Which part will activate valves?
a. crankshaft b. cam shaft
c. flywheel d. starter motor
3. Normally piston is made up of which material
a. aluminum alloy b. steel
c. cast iron d. copper
4. Which is not a part of two stroke engine?
a. carburetor b. cam shaft
c. spark plug d. crank case
5. Which is not a part of diesel engine
a. carburetor b. cam shaft
c. pump d. injector
6. At how many revolution of flywheel one power stroke will be obtained in 4 stroke petrol engine?
a. 1 rev b. 2 rev
c. 3 rev d. 4 rev
7. For same C.C which engine will have greater speed?
a. 2 stroke diesel b. 2 stroke petrol
c. 4 stroke diesel d. 4strokepetrol
8. Which vehicle uses DTSI technology?
a. TVS star city b. Splendor
c. Pulsar d. CD-100
9. If the input gear has 20 teeth and output gear has 40 teeth, then the gear ratio is
a. 0.5 b. 2
c. 4 d. 6

10. Which drive will be more efficient?
a. gear b. chain
c. belt d. rope

(SECTION-B)

Each question in this section carries two (2) marks

11. If the vehicle has 4 liters of cylinder volume. Then, what is the volume in CC?
Ans:

12. Which engine uses Otto cycle?
Ans:

13. Which pin is used to connect piston and crankshaft at the small end?
Ans:

14. If the output sprocket of the chain drive is replaced with bigger diameter, then the speed of the vehicle will?
Ans:

15. What is the purpose of Lubrication oil?
Ans:

16. Fuel/air ratio in a petrol engine fitted with suction carburetor, operating with dirty air filter when compared to clean filter will?
Ans:

17. Name the two wheeler which uses DTSI Technology?
Ans:

18. What is the power available in crankshaft called?
Ans:

19. The ratio of work done to heat supplied is called?
Ans:

20. What is the component used to know the level of lubrication oil?

Ans:

21. What is the normal A/F ratio (in kg) of petrol engine?

Ans:

22. What is the normal A/F ratio (in kg) of diesel engine?

Ans:

23. The name of the valve that controls the amount of air entering into the carburetor is called as?

Ans:

24. To which valve the accelerator pedal will be connected in petrol engine?

Ans:

25. Name the type carburetor that automobile uses it widely?

Ans:

(Signature of the Assessor)

(Signature of the Candidate)

MODULAR EMPLOYABLE SKILLS (MES)

under Skill Development Initiative Scheme (SDIS)
Directorate General of Employment & Training, Ministry of Labour & Employment, Government of India



Assessment conducted by – INDIA SKILLS PVT. LTD., NEW DELHI

AUTOMOTIVE REPAIR

(Basic Automotive servicing(2-3 Wheelers)-AUR701)

Practical – Maximum marks (150)

Marks Scored –

Duration – 2.5 hrs

Set No.- AUR701_E_1

NAME:

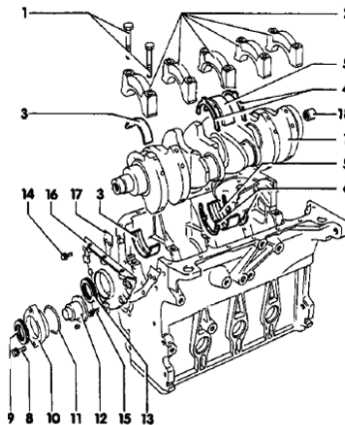
FATHER'S NAME:

DATE:

CENTRE:

Each question below carries thirty (30) marks

1. Identify the parts of the engine components:



2. Perform the water washing and cleaning of 2 wheeler.
3. Dismantle and assemble the two wheeler ignition system
4. Check the cluster instruments and its connections.
5. Drain the sump and refill it.

Marking System:

Domain Tested	Manipulative Skills to Handle Tools & Equipments	Speed in doing work	Accuracy maintained	Quality in workmanship	Sequence of Performance	Economical use of materials	Ability to follow Manuals/Written Instructions	Neatness & House keeping
Weightage	10	10	10	10	10	10	10	5
Marks Scored								

Note for Assessors: Each candidate may be tested on one or two questions randomly and the question has to be ticked on the question paper for which the candidate has been tested and accordingly marks are to be mentioned in the above rubric given.

(Signature of the Assessor)

(Signature of the Candidate)

Answer_Key_AUR701_E_1

1. B
2. B
3. A
4. B
5. A
6. B
7. B
8. C
9. A
10. A
11. 4000CC
12. petrol engine
13. Gudgeon pin or piston pin
14. gets reduced
15. To reduce friction
16. more or get increases
17. Bajaj pulsar
18. Break power
19. Thermal Efficiency
20. dip stick
21. 15:1
22. 18:1
23. Choke valve
24. Throttle valve
25. Solex, Mikuni, Su, Zenith